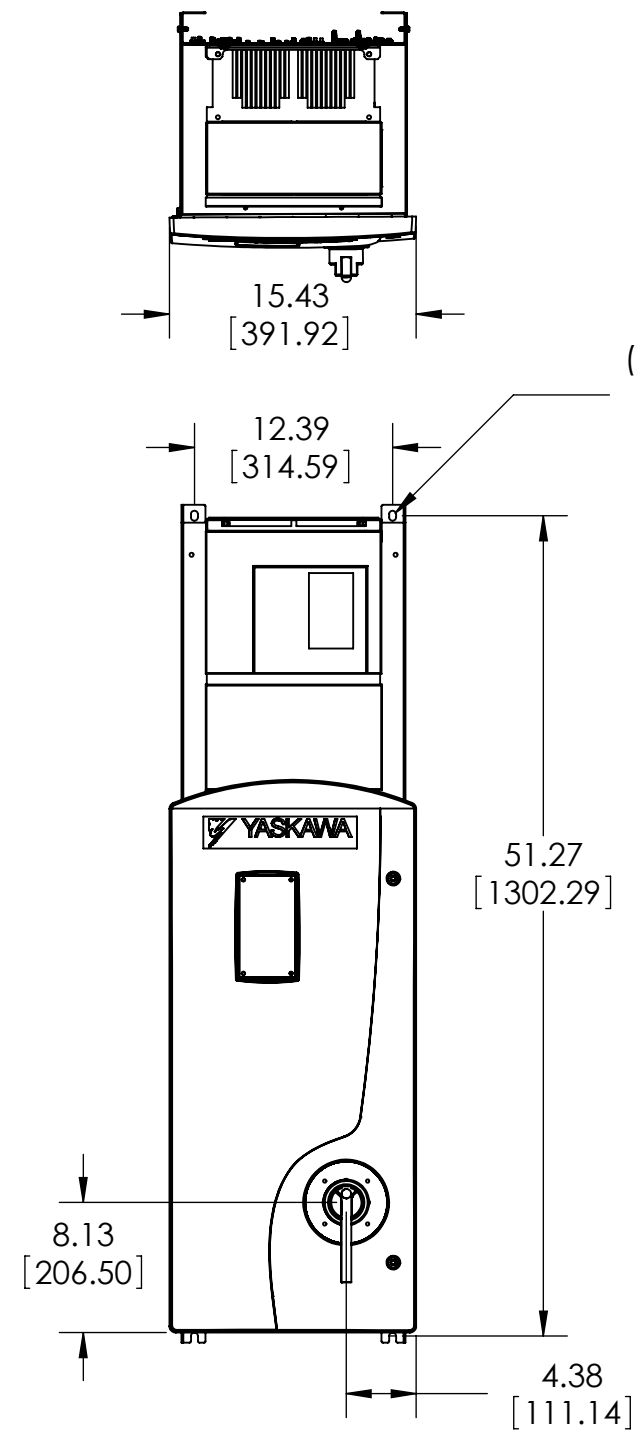
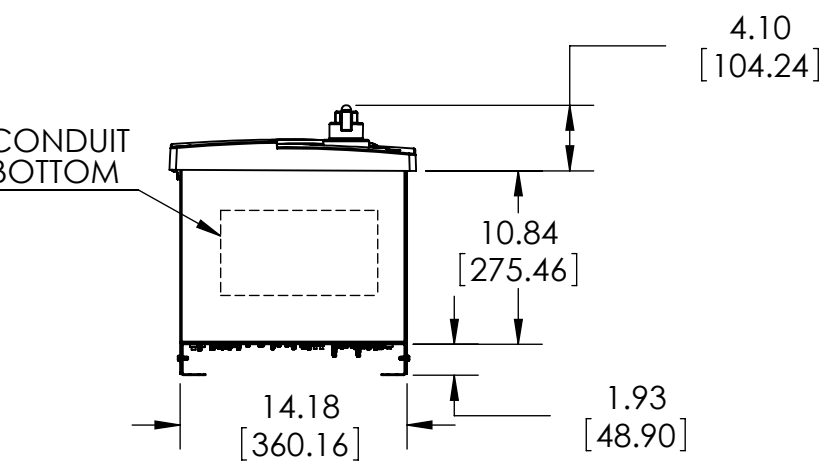
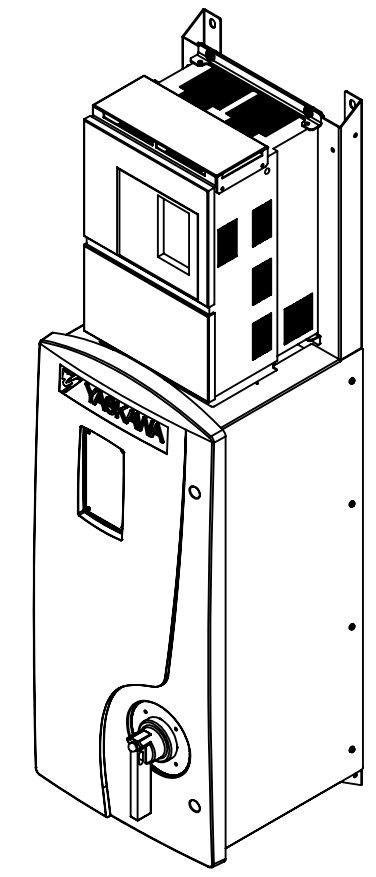
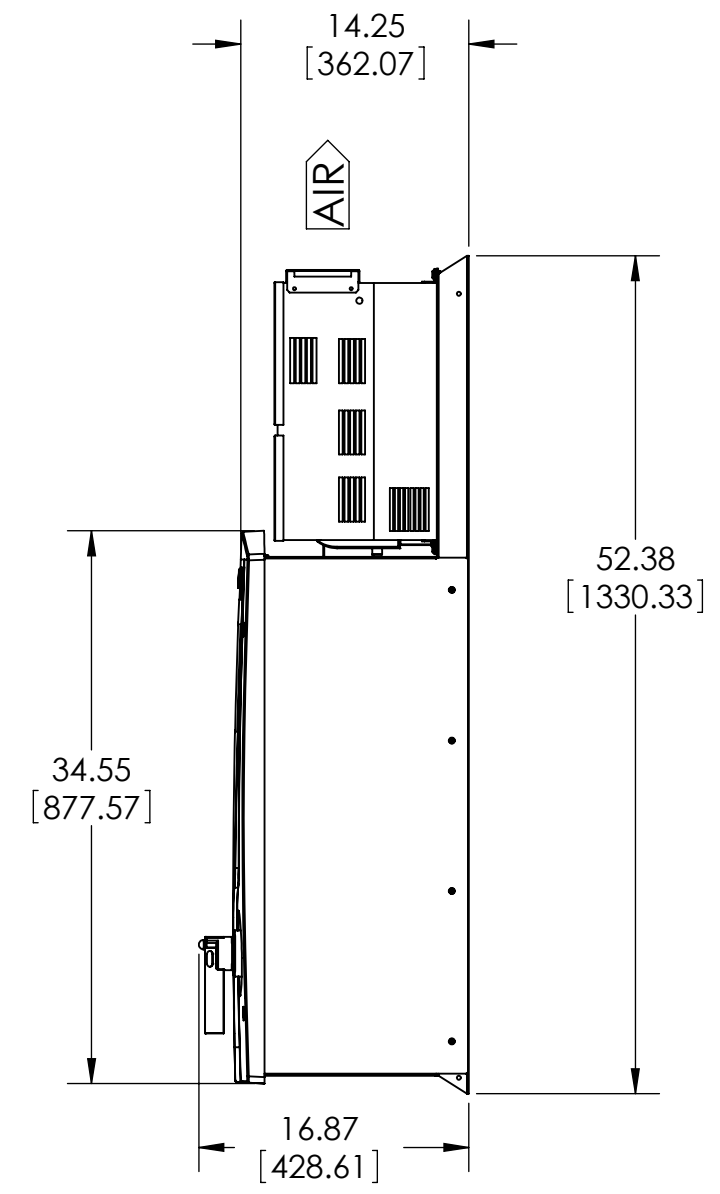


FOR REFERENCE ONLY UNLESS PROPERLY ENDORSED



(4)- MOUNTING HOLES
 ϕ .44
 [11.11]



RECOMMENDED CONDUIT
 ENTRANCE AREA BOTTOM

NOTES:
 1.) LED OPERATOR NOT SHOWN
 2.) MAXIMUM DIMENSIONS SHOWN WHEN APPLICABLE
 3.) DIMENSIONS ARE IN inch [mm]

FOR ADDITIONAL DETAILS AND SPECIFICATIONS,CONSULT
 MANUAL.

PROJECT NAME	
SYSTEM TAG#	
MODEL#	
HP	
AMPS	
VOLTS	
WEIGHT	

	DRAWN: JJS	DATE: 12/8/08	TITLE: E7N DIMENSION DRAWING
	CHECKED: DC	DATE: 12/8/08	
THIS DOCUMENT AND INFORMATION CONTAINED IN IT ARE CONFIDENTIAL, AND CANNOT BE COPIED OR DISCLOSED IN WHOLE OR IN PART WITHOUT THE EXPRESS WRITTEN CONSENT OF YASKAWA ELECTRIC AMERICA INC.	APPROVED: JZ	DATE: 12/8/08	MATERIAL# -
	ORIGINAL DESIGN: JJS	DATE: 12/8/08	SIZE B REVISION R00 PAGE 1 OF 1
			DRAWING #: DD.E7N.255.01